

# SMART COMMAND

by **CAROMA**

## SERIES 3 WALL OUTLET TRIM KIT - STANDARD FLOW

### INSTALLATION INSTRUCTIONS

#### Important Information

- \* The basin/wash plane bowl surface must not interfere with the tap sensor clearance shown in Fig.3.
- \* Not suitable for gravity feed systems.
- \* Wall outlet is fitted with a flow regulated aerator insert. This low flow rate may not be suitable for connection to some Instantaneous Gas Water Heaters, some Tempering Valves, some Solar Water Heaters & some Thermostatic Mixing Valves. Check with the manufacturers of these products.

#### Installation

- 1) Ensure the front wall of the in-wall box is flush with the finished wall/tile face; if required, the excess of plastic wall must be trimmed flush with the finished wall/tile face while making sure the extension cable (5) doesn't get damaged.
- 2) Remove the retaining nut (2) using supplied tool (3) and pull pressure test plug (1) out along with the wire tie (6) and female end (5) of sensor cable (4). Discard the pressure test plug (1) and wire tie (6).
- 3) Connect male end of outlet cable (7) with female end of the extension cable (5), push the connected cables back towards the conduit spigot of the in-wall box (9). Fit the outlet (8) into the inwall body (9) while ensuring the key on the outlet flange (10) aligns with the slot on the front face of inwall body (9). Ensure cable does not become jammed or damaged.
- 4) Pass the retaining nut (2) over the outlet carefully while making sure not to damage the decorative finish. Screw the retaining nut (2) over the inwall body and tighten using the supplied tool (3).
- 5) While keeping the hole on the cover plate (12) pointing down, slide the cover plate (11) together with seal (12) along spout (8) until cover plate seal (12) contacts wall/tile face, tighten grub screw (13) using a 2mm allen key (14). **Note: Tool (3) and key (17) must be kept stored for future maintenance, if required.**
- 6) **Control Box :** Follow instructions on roughing kit Sheet 2 to install control box and connect male end (15) of extension cable (4) to female end of control box cable before the commissioning procedure.
- 7) **Commissioning Procedure:**
  - a) Power on the device at the GPO and allow the unit to complete the calibration sequence as follows:
    - 1) The indicator LED starts blinking.
    - 2) The indicator LED will turn off for 2 to 3 seconds performing calibration then a small amount of water will discharge.
    - 3) The unit is now ready to operate.
  - b) Test operation by placing hands under the sensor (within 100mm from Spout). Water should flow within 0.5 seconds. Remove hand and the water supply should stop within 2 seconds.

#### Replacing Aerator Insert

- 1) Aerator insert (16) can be removed with the key (17) provided
- 2) Deposits of lime can be removed by washing in a vinegar solution
- 3) When replacing aerator insert (16), be careful that thread is engaged correctly and 'O'-ring is not damaged as it enters the bore. Tighten securely (to prevent removal by hand) using key (17).

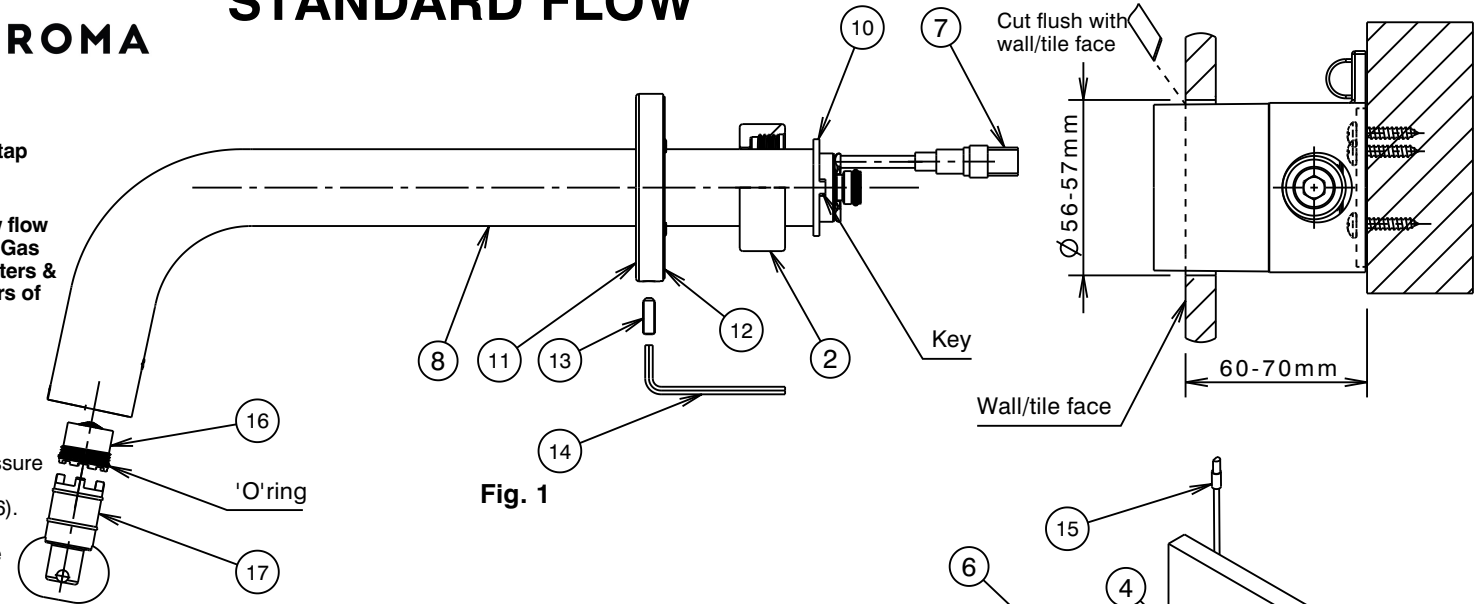


Fig. 1

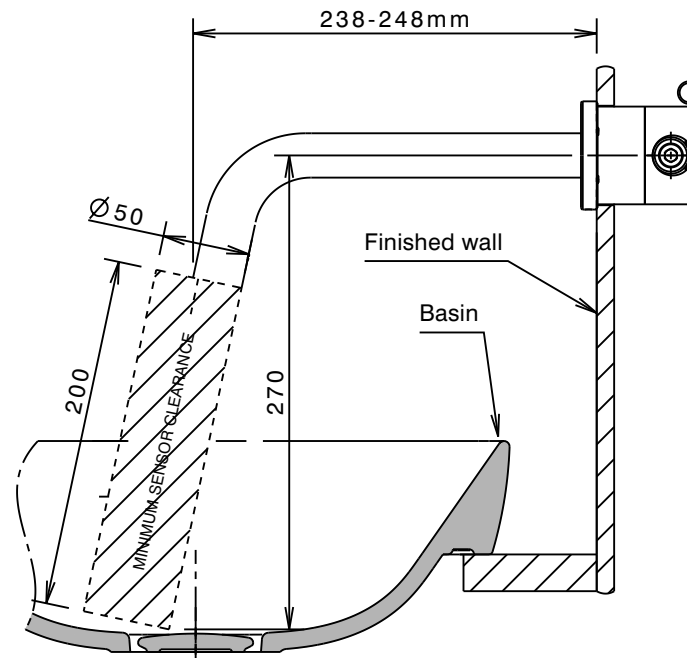


Fig. 3

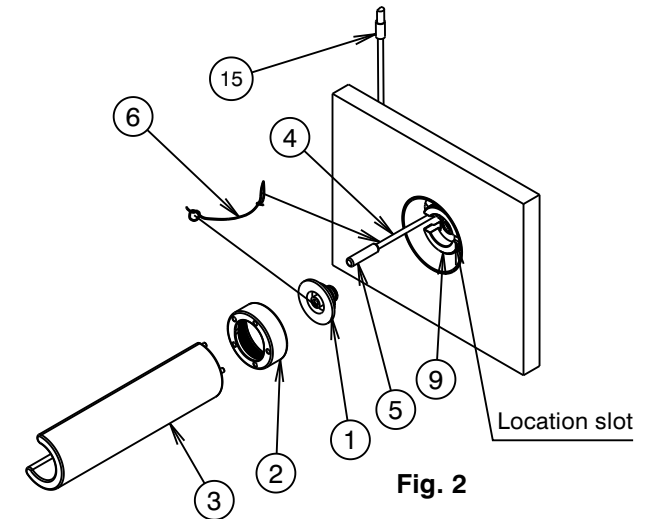


Fig. 2

#### **IMPORTANT**

- This product complies with the Lead Free requirements of the National Construction Code Volume Three.
- It is the installers responsibility to ensure the installation complies with AS/NZS3500.1, AS/NZS3500.2, AS/NZS3500.4.1, AS/NZS3500.4.2 and local water authority regulations.

#### **Installation Requirements.**

- The installing plumber is responsible for waterproofing all penetrations for Taps in Shower areas at installation by a proprietary flange system or a sealant. (Ref AS3740)